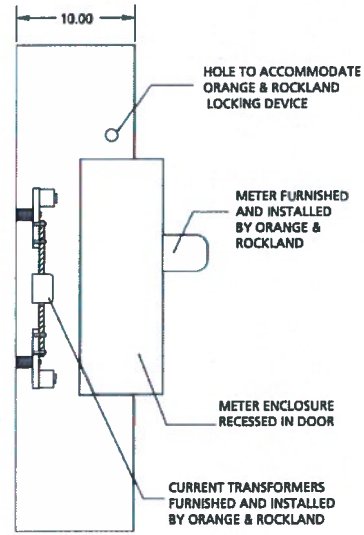
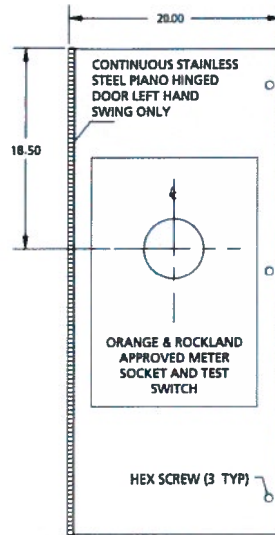
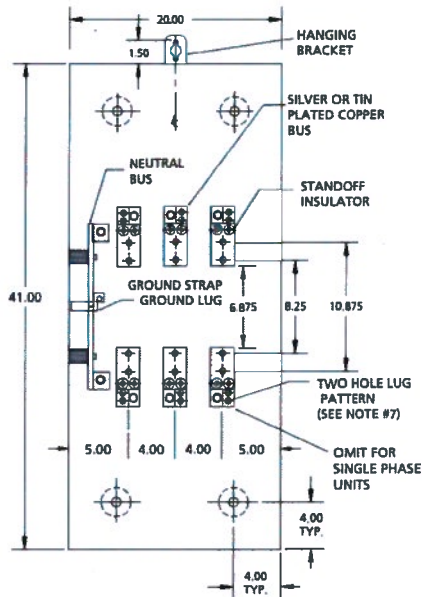
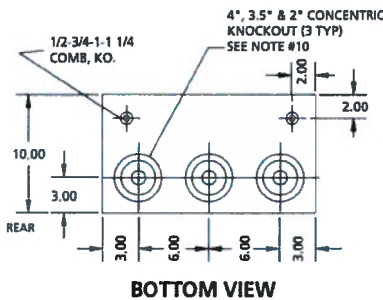


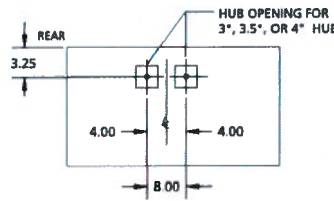
**ORANGE & ROCKLAND 400 AMP TRANS "S"
CURRENT TRANSFORMER CABINET (NEMA 3R)
200 AMP. 400 AMP., 240V AC RATED
CATALOG NUMBER: TS-400-208(1) O&R
TS-400-208(3) O&R**



SIDE VIEW



BOTTOM VIEW



TOP VIEW

UL FILE #E211411 & E204067

- CABINET SHALL BE RATED NEMA 3R AND SHALL BE CONSTRUCTED FROM CODE GAUGE GALVANIZED OR GALVANNEALED STEEL.
- BUS BAR SHALL BE MOUNTED IN THE CABINET BY MEANS OF STANDOFF INSULATORS OR INSULATED MOUNTING BRACKETS. INSULATING MATERIAL SHALL CONFORM TO THE APPLICABLE SECTIONS OF UL 746 AND UL 94. THE CABINET SHALL BE UL APPROVED.
- BUS BAR SHALL BE SILVER OR TIN PLATED AND SHALL BE SIZED PER NEC.
- THE RIGHT SIDE OF THE CABINET SHALL ALLOW THE LINE AND THE LOAD CABLE TO ENTER AND EXIT THROUGH THE TOP OR BOTTOM OF THE CABINET. THIS SPACE SHALL ALLOW FOR THE CABLES TO MEET THE MINIMUM BENDING RADIUS TO THE NEAREST PHASE OR NEUTRAL BUS AS PER NEC.
- THE SHORT WITHSTAND CAPABILITY OF THE CABINET ASSEMBLY SHALL BE RATED AT 50,000 RMS SYMMETRICAL AMPERES.
- MANUFACTURER SHALL FURNISH AND INSTALL $\frac{1}{2}$ " STUDS WITH SPLIT LOCK WASHERS AND HEX NUTS FOR CT MOUNTING.
- USE ONLY MANUFACTURE'S APPROVED LUG PROVIDED. EACH LUG IS RATED FOR (1) 600 MCM-#44 OR (2) 250 MCM-#4 CABLES.
- ONLY FACTORY PREFABRICATED KNOCKOUTS ON THE ENCLOSURE SHALL BE USED.**
- PROVIDED PREWIRED TRANS "S" UNIT IN ACCORD WITH ORANGE & ROCKLAND SPECIFICATIONS. CONTACT YOUR LOCAL NEW BUSINESS GROUP FOR INSTALLATION.
- THESE DEVICES MAY BE UTILIZED ON 240 VOLT SERVICES AND 4 WIRE DELTA SERVICES ONLY.
- USE #10 THHN STRANDED WIRE COLOR CODED. ALL WIRING IN ACCORDANCE WITH O&R SPECIFICATIONS.
- ALL METER FORMS MUST CONFORM TO ORANGE & ROCKLAND SPEC. AND WILL BE LABELED AS SUCH.
- ALL CABINETS WILL BE PROVIDED WITH A HOOK TO BE USED AS A DOOR STOP.
- EACH UNIT WILL BE PROVIDED WITH A BARREL LOCK GUARD AND LOCK NUT.

